

# CTC50 - Crimping Tool

## For Copper Tube Terminals

**• Material:**

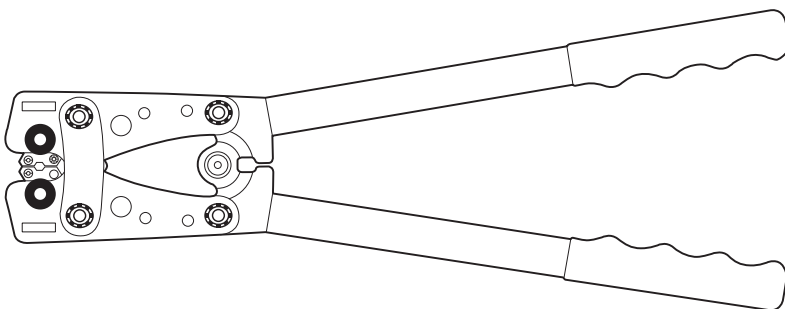
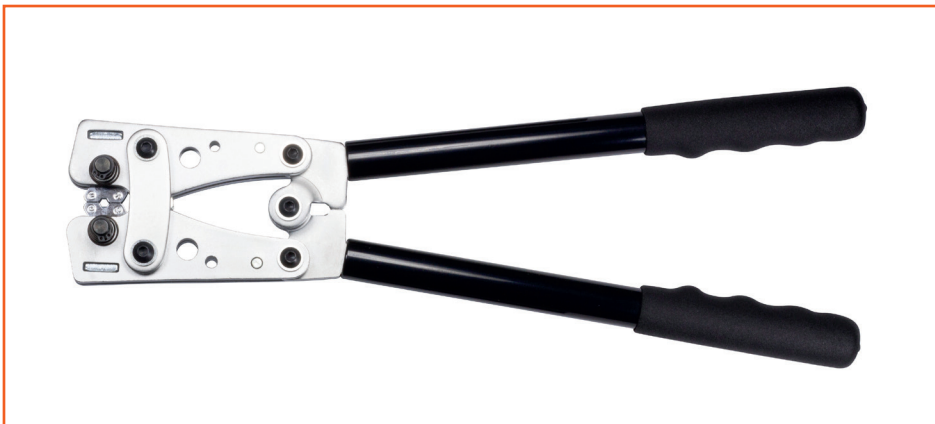
- Die material: SCM440 (HRC 40-45).
- Die surface: Electroplate.
- Handle material: Metal tube.
- Handle treatment: Pyrocondensation cannula.
- Handles: PVC.

**• Colour:**

Black.

**• Features:**

- High strength through hardened steel.
- Anti-slipping handles.



Item No.	Terminal Type	Crimping Range (mm <sup>2</sup> )	Weight (kgs)	L (mm)	Handle Colour
<b>CTC50</b>	Copper Tube	6.0 - 50.0	1.5	390	Black